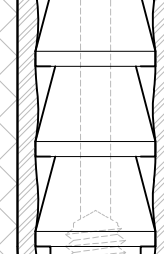
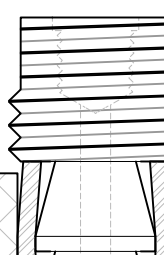
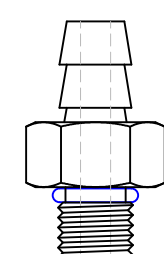
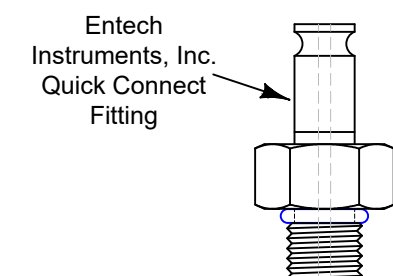
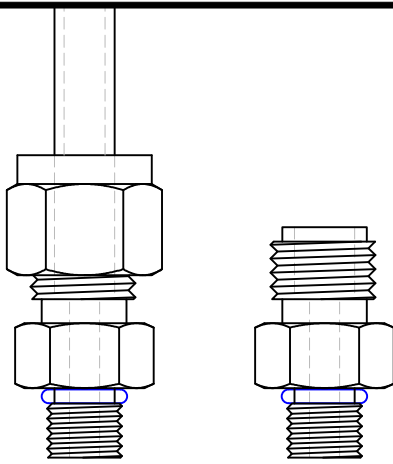


Notes: Materials:
Stainless Steel (303)



Mini Pin
Secure Cover

Mini VAPOR
PIN®

Silicone
Sleeve

O-Ring

Asphalt or
Concrete

FLX-VP BARB

O-Ring



Protected under Patent # 8,220,347 B2
and other Patents Pending

Name: Mini VAPOR PIN® and FLX-VP

Drawing No.: VP00XX.XX

Date: April 4, 2024